

UDC 629.735.051'844'847:629.735.33-519 (045)

¹Volodymyr P. Kharchenko, D. E., Prof.
²Svitlana I. Ilnytska, Post-graduate student

ANALYSIS OF UNMANNED AERIAL VEHICLE KINEMATIC EQUATIONS INTEGRATION ALGORITHMS

National Aviation University

¹E-mail: nauka@nau.edu.ua²E-mail: svetlana-ilnicka@yandex.ru

The integration algorithms of UAVs' rotational and translational motions using quaternions have been analyzed and the correspondent software in MATLAB has been developed. The proposed algorithms verification has been performed with using reference data at different sampling frequencies and under different conditions of UAV dynamics.

Досліджено алгоритми інтеграції обертальних та поступальних рухів безпілотного літального апарата з використанням кватерніонів. Створено відповідне програмне забезпечення в MATLAB. Проведено верифікацію запропонованих алгоритмів на еталонних значеннях із різними частотами дискретизації та за різних умов динаміки безпілотного літального апарата.

Исследованы алгоритмы интеграции вращательных и поступательных движений беспилотного летательного аппарата с использованием кватернионов. Создано соответствующее программное обеспечение в MATLAB. Проведена верификация предложенных алгоритмов на эталонных значениях с разными частотами дискретизации и при разных условиях динамики беспилотного летательного аппарата.

Statement of purpose

Satellite-based positioning and navigation systems are playing an ever-increasing role in today's society. There are a lot of applications for such systems, including personal navigation, car-navigation, unmanned aerial vehicles (UAVs) and general aviation [1; 2].

Unfortunately the only satellite-based systems are often insufficient and must be augmented with other sensors. For example for UAV flight control data rate should be at least 50 Hz, while Global Positioning System (GPS) typically updates position and velocity at 1 to 20 Hz and Inertial Navigation Systems (INSs) are capable of making measurements at several hundred Hz.

Therefore the integration of GPS and INSs is often used to provide accurate positioning and navigation information.

Algorithms of UAVs attitude and position determination play an important role in INS software.

Review of last publications

Nowadays in lot of countries the investigations devoted to creation of integrated INS/GPS systems are performed. The advantages of GPS/INS integrated systems, relative to GPS or INS only, are reported to be a full position, velocity and attitude solution, improved accuracy and availability, smoother trajectories, greater integrity and reduced susceptibility to jamming and interference are discussed in [2–6]. Inertial Navigation System algorithms of a body rotational and translational motions integration using quaternions are discusses in these researches [2–5; 7].

Problem statement

The task of this work is to develop software in MATLAB by applying UAV translational and rotational motions integration algorithms. The algorithms use quaternion technology, and angular velocities 2nd order spline-approximation, elementary quaternion approximation in the way proposed in other researches [7].

Then it's necessary to explore algorithms at different simulated conditions. In order to find the final INS navigation solution it would be necessary further to join the functionality of both rotational and translational motions integration algorithms within a single software.

General relations

Here the general relations that are used for the given task solution is proposed to be given.

There are several methods to represent UAV orientation in the inertial frame including Euler angle, Directional Cosine Matrix (DCM), and unit quaternion etc. The most commonly used one is Euler angle representation (roll ϕ , pitch θ , and yaw ψ). The UAV trajectory control can be converted to cascaded control of roll, pitch, and yaw. However, Euler angle representation has some singularity points. Unit quaternion provides another representation without introducing a gimbal lock problem. Unit quaternion could be defined as

$$q = [q_0 \ q_1 \ q_2 \ q_3]^T,$$

where $q_0^2 + q_1^2 + q_2^2 + q_3^2 = 1$.

Calculation of initial quaternion through Euler angles can be given as [4; 8]:

$$\begin{aligned} q_0 &= c\left(\frac{\phi}{2}\right) \cdot c\left(\frac{\theta}{2}\right) \cdot c\left(\frac{\psi}{2}\right) + s\left(\frac{\phi}{2}\right) \cdot s\left(\frac{\theta}{2}\right) \cdot c\left(\frac{\psi}{2}\right); \\ q_1 &= s\left(\frac{\phi}{2}\right) \cdot c\left(\frac{\theta}{2}\right) \cdot c\left(\frac{\psi}{2}\right) - c\left(\frac{\phi}{2}\right) \cdot s\left(\frac{\theta}{2}\right) \cdot s\left(\frac{\psi}{2}\right); \\ q_2 &= c\left(\frac{\phi}{2}\right) \cdot s\left(\frac{\theta}{2}\right) \cdot c\left(\frac{\psi}{2}\right) + s\left(\frac{\phi}{2}\right) \cdot c\left(\frac{\theta}{2}\right) \cdot s\left(\frac{\psi}{2}\right); \\ q_3 &= c\left(\frac{\phi}{2}\right) \cdot c\left(\frac{\theta}{2}\right) \cdot s\left(\frac{\psi}{2}\right) - s\left(\frac{\phi}{2}\right) \cdot s\left(\frac{\theta}{2}\right) \cdot c\left(\frac{\psi}{2}\right), \end{aligned} \quad (1)$$

where $c = \cos$, $s = \sin$.

The Direction Cosine Matrix representing rotation from body-fixed to Earth-fixed frame is defined through unit quaternion as follows [3; 4; 8]:

$$\mathbf{R} = \begin{bmatrix} 1 - 2(q_2^2 + q_3^2), 2(q_1q_2 - q_3q_0), 2(q_3q_1 + q_2q_0) \\ 2(q_3q_0 + q_1q_2), 1 - 2(q_3^2 + q_1^2), 2(q_2q_3 - q_0q_1) \\ 2(q_3q_1 - q_2q_0), 2(q_2q_3 + q_0q_1), 1 - 2(q_1^2 + q_2^2) \end{bmatrix} \quad (2)$$

Calculation of Euler angles through unit quaternion and DCM $\mathbf{R}_{body-fixed}^{earth-fixed}$ (2) can be performed as follows [4; 5]:

$$\begin{aligned} \phi &= \arctan\left(\frac{2(q_2q_3 + q_0q_1)}{q_0^2 - q_1^2 - q_2^2 + q_3^2}\right) = \arctan\left(\frac{r(3,2)}{r(3,3)}\right), \\ \theta &= \arcsin(-2(q_1q_3 - q_0q_2)) = -\arctan\left(\frac{r(3,1)}{\sqrt{1 - r(3,1)^2}}\right), \\ \psi &= \arctan\left(\frac{2(q_1q_2 + q_3q_0)}{q_0^2 + q_1^2 - q_2^2 - q_3^2}\right) = \arctan\left(\frac{r(2,1)}{r(1,1)}\right). \end{aligned} \quad (3)$$

Equation describing vehicle coordinates change in North East Down frame that reflects Coriolis theorem about accelerations addition at complex body motion is given as follows [7]:

$$\begin{aligned} \frac{dV}{dt} &= a_m + \bar{g} - 2\Omega \times V; \\ a_m &= a - \bar{g}; \\ \bar{g} &= g - \Omega \times \Omega \times r, \end{aligned} \quad (4)$$

where a, V is relative object acceleration and velocity;

a_m is accelerometer measurements (in literature is often seen as *specific force* f);

\bar{g} is a result of gravitational and centripetal acceleration addition;

Ω is Earth rotation rate;

g is gravitational acceleration;

r is radius-vector in geocentric coordinate system.

Algorithms exploration and results presentation

Having the ability to measure the acceleration by accelerometers, it's possible to calculate the change in velocity and position by performing successive mathematical integrations with respect to time. Meanwhile, in order to navigate with respect to the inertial reference frame, it is necessary to keep track of the direction in which the accelerometers are pointing. Rotational motion of the body with respect to the inertial reference frame is sensed using gyroscopes which determine the orientation of the accelerometers at all times.

Hence, by combining these two sets of measurements, it is possible to define the vehicle's translational and rotational motions within an inertial reference frame [2; 3].

It's known [2–9] that nowadays the most appropriate way to update the rotation motion parameters is one with using quaternions.

This method is used almost in all strapdown INS, since there is a possibility to find solutions in quadratures.

At this work it is explored the approach proposed in works of other authors [7] based on measured angular rates and accelerations approximation by 2nd order splines and elementary quaternion approximation.

At fig. 1 the block-scheme of UAV rotational motions integration algorithm is represented.

Realization of algorithms begins from reading the file length and quaternion initialization $q_0 = [1 \ 0 \ 0 \ 0]^T$ or, if the parameters of initial alignment are known, using equation (1).

Reading the sensors measurements is performed with some time intervals Δt , i.e. with sampling frequency

$$f = \frac{1}{\Delta t}.$$

Consequently DCM $R_{earth-fixed}^{body-fixed}(q)$, velocity v and coordinates r are calculated with time interval Δt . Therefore at the beginning of algorithm the sampling frequency f is settled.

Then the counter is settled to be equal to 4 (it's necessary for previous measurements accumulation).

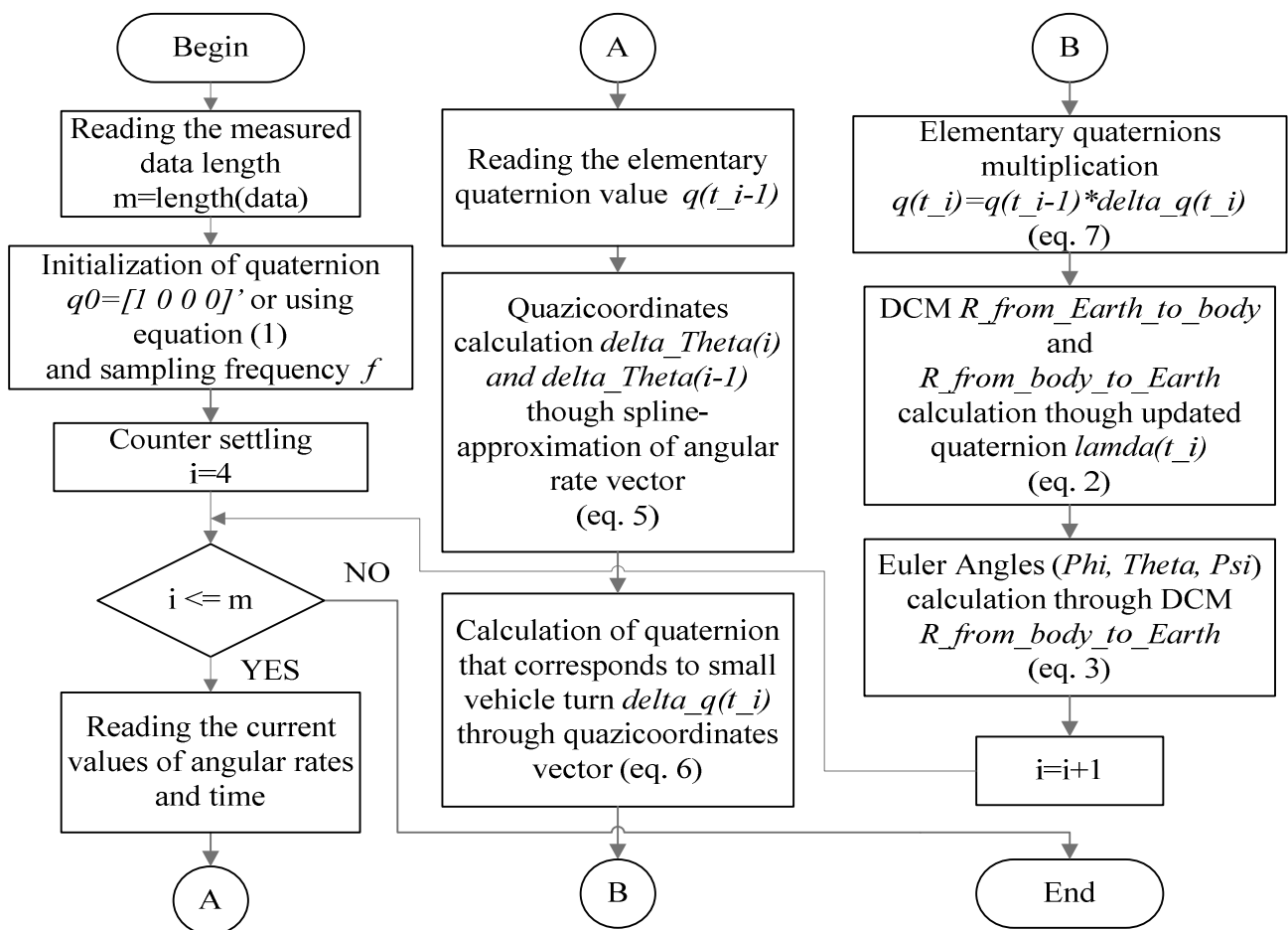


Fig. 1. The block-scheme of algorithm of UAV rotational motions integration

Then we check if current iteration doesn't exceed the file length. In case it doesn't current values of angular rates and time are read, in other case the work of algorithm is finished. Then the value of elementary quaternion $q(t_{i-1})$ is read. After this the quazicoordinates (components of vector $\nabla\theta_i = \int_{t_{i-1}}^{t_i} \omega dt$)

calculation is performed.

For calculation of $\nabla\theta_i$ the angular rate vector $\omega(t)$ 2nd order spline approximation is used [7].

Having values $\omega(t_{i-2}), \omega(t_{i-1}), \omega(t_i)$ quazicoordinate is calculated as follows:

$$\nabla\theta_i = \frac{\Delta t}{12} (5\omega(t_i) + 8\omega(t_{i-1}) - \omega(t_{i-2})). \quad (5)$$

Similarly $\nabla\theta_{i-1}$ is calculated. Then the quaternion corresponding to rigid body small turn for a time Δt ($\delta q(t_i)$) is approximated using quazicoordinate vector $\nabla\theta_i$ [7]:

$$\delta q(t_i) = \begin{bmatrix} 1 - \frac{1}{12} \|\nabla\theta_i\|^2 \\ \frac{1}{2} \nabla\theta_i - \frac{1}{24} (\nabla\theta_i \times \nabla\theta_{i-1}) \end{bmatrix}, \quad (6)$$

where $\|\cdot\|$ is a vector norm.

Then body orientation is defined as sequential multiplication of "elementary" quaternions. In matrix representation it has following form:

$$q(t_i) = \begin{bmatrix} \delta q_0 & -\delta q_1 & -\delta q_2 & -\delta q_3 \\ \delta q_1 & \delta q_0 & \delta q_3 & -\delta q_3 \\ \delta q_2 & -\delta q_3 & \delta q_0 & \delta q_1 \\ \delta q_3 & \delta q_2 & -\delta q_2 & \delta q_0 \end{bmatrix} \begin{bmatrix} q_0(t_{i-1}) \\ q_1(t_{i-1}) \\ q_2(t_{i-1}) \\ q_3(t_{i-1}) \end{bmatrix}, \quad (7)$$

where $\delta q_{0...3} = \delta q_{0...3}(t_i)$.

Equation (7) corresponds to the procedure of UAV rotational motions parameters update. Having the updated quaternion value it's possible to find DCM or rotational matrix from body-fixed to Earth-fixed frame, using equation (2).

And using orthogonality property of DCM it's possible to receive rotational matrix from Earth-fixed to body-fixed frame by transposing received from (2) matrix. Then current Euler angles are calculated either though quaternion or DCM using equation (3).

Therefore, it's possible to define the right part \tilde{a} of equation (4) using accelerometers measurements and DCM received from UAV rotational motions integration algorithm.

Then it's possible to write relations likewise to that described in equation (5) for $v(t_i), r(t_i)$ definition, having \tilde{a} values at moments of time t_{i-2}, t_{i-1}, t_i :

$$\begin{aligned} v(t_i) &= v(t_{i-1}) + \int_0^{\Delta t} \tilde{a} dt = \\ &= v(t_{i-1}) + (5\tilde{a}(t_i) + 8\tilde{a}(t_{i-1}) - \tilde{a}(t_{i-2})) \cdot \frac{\Delta t}{12}, \end{aligned} \quad (8)$$

$$\begin{aligned} r(t_i) &= r(t_{i-1}) + v(t_{i-1})\Delta t + \int_0^{\Delta t} v(t_i) dt = \\ &= r(t_{i-1}) + \begin{pmatrix} 3\tilde{a}(t_i) + 10\tilde{a}(t_{i-1}) - \\ -\tilde{a}(t_{i-2}) \end{pmatrix} \frac{\Delta t^2}{24} + \\ &+ \Delta t v(t_{i-1}). \end{aligned} \quad (9)$$

Summarizing it's possible to say that relations (1)–(9) compose the integration algorithms of UAV kinematic equations.

The software based on these algorithms has been developed in MATLAB.

For algorithms verification and computational errors determination the following steps were performed.

In MATLAB Simulink the scheme (fig. 2) that correlates Euler angles with angular rates has been realized according the following equations [4]:

$$\begin{aligned} \omega_x &= p = \dot{\phi} - \dot{\psi} \sin \theta \\ \omega_y &= q = \dot{\psi} \cos \theta \sin \phi + \dot{\theta} \cos \phi, \\ \omega_z &= r = \dot{\psi} \cos \theta \cos \phi - \dot{\theta} \sin \phi. \end{aligned} \quad (10)$$

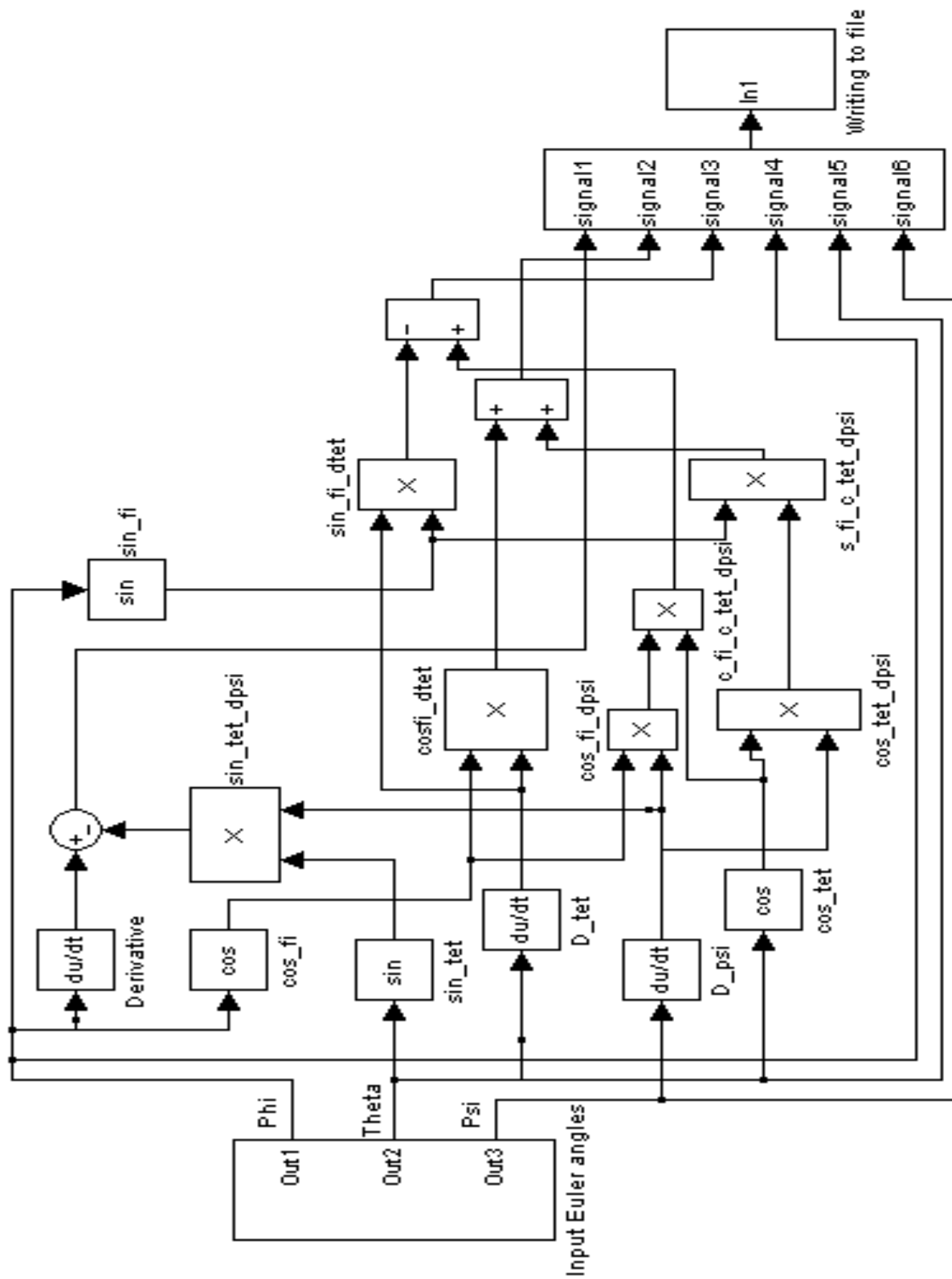


Fig. 2. Scheme for reference angular rates and Euler angles generation

There are Euler angles at the input of this scheme and angular rates at the output. Therefore we have both sets of data: reference angular rates and Euler angles. It's necessary to note that this scheme is useful for us only for the algorithm testing, since in real conditions there might not be the possibility to receive reference values of angular rates and Euler angles.

If we set, for example, simulation time of scheme (fig. 2) 30 s, and sampling frequency 100 Hz, then in result we'll receive 3000 of reference angular rates and Euler angles. Then with the help of equations (1)–(7) according the algorithm represented at fig.1 it's possible to receive Euler angles.

It's clear that angular rates and elementary quaternions' approximation and rounding at calculations will cause the computational errors in angles determination.

To estimate the value of these errors the reference values (from the output of scheme at fig. 2) were compared to the ones received through the algorithm described at block-scheme at fig.1.

Below (fig. 3) the result of roll angle determination under conditions of high UAV dynamics is represented.

It was decided to choose here the result for roll angle since the longitudinal axis has the lowest inertia and roll calculation error according the given algorithm is the highest.

For example, at conditions of normal UAV dynamics the standard deviation (STD) of roll angle determination is $0,0101^\circ$, pitch and yaw – $0,0046^\circ$ and $0,0077^\circ$ correspondently, and at conditions of high UAV dynamics STD of roll angle determination is $0,0635^\circ$, pitch and yaw – $0,0123^\circ$ and $0,0156^\circ$ correspondently.

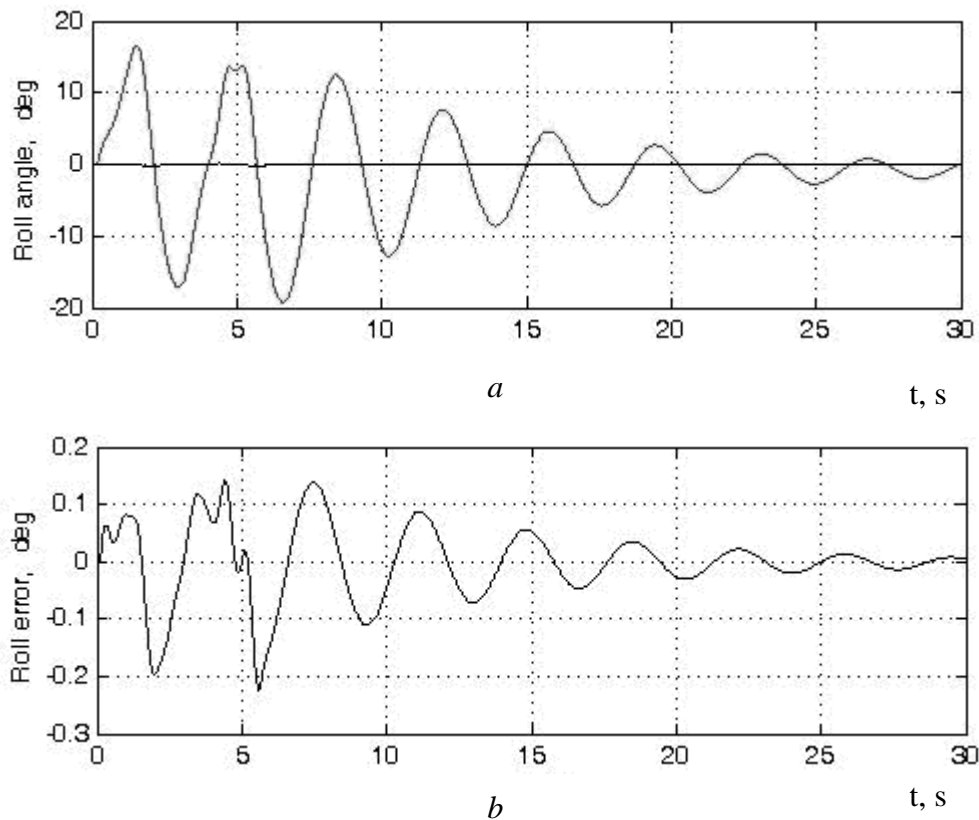


Fig. 3. Roll angle: reference values (a) and calculation error (b) at conditions of high UAV dynamics

For UAV translational motions integration algorithm verification and computational errors determination the following steps have been performed. In MATLAB circle motions at XY-plane were simulated to get the reference data of accelerations, velocities and positions.

Therefore, the results of comparison of reference values of velocities and position coordinates with the defined with the help of equations (8)–(9) are represented at fig. 4.

It is seen from figure that velocity errors are bounded in time and position errors are not.

Besides, sampling frequency influence at navigation parameters definition has been investigated. Both algorithms, for rotational and translational motions, have been checked at frequencies from 20 to 300 Hz at conditions of normal and high UAV dynamics.

The results for rotational motions are represented at fig. 5, and for translational motions – at fig. 6.

From fig. 5, 6 it's seen that the revealed dependencies are of hyperbolic nature.

And frequency increasing up to 100 Hz greatly improves navigation parameters determination accuracy, but the further frequency increasing doesn't influence essentially.

Conclusion

At work the analysis of UAV kinematic equations integration algorithms has been performed.

The software in MATLAB has been developed based on proposed algorithms. It has been verified at conditions of normal and high UAV dynamics.

As a result the algorithms efficiency has been approved, since the acceptable values of STDs has been got for all cases.

Also sampling frequency influence at navigation parameters definition has been investigated.

As a result the dependence of hyperbolic nature has been revealed. In further investigations it would be interesting to study this dependence.

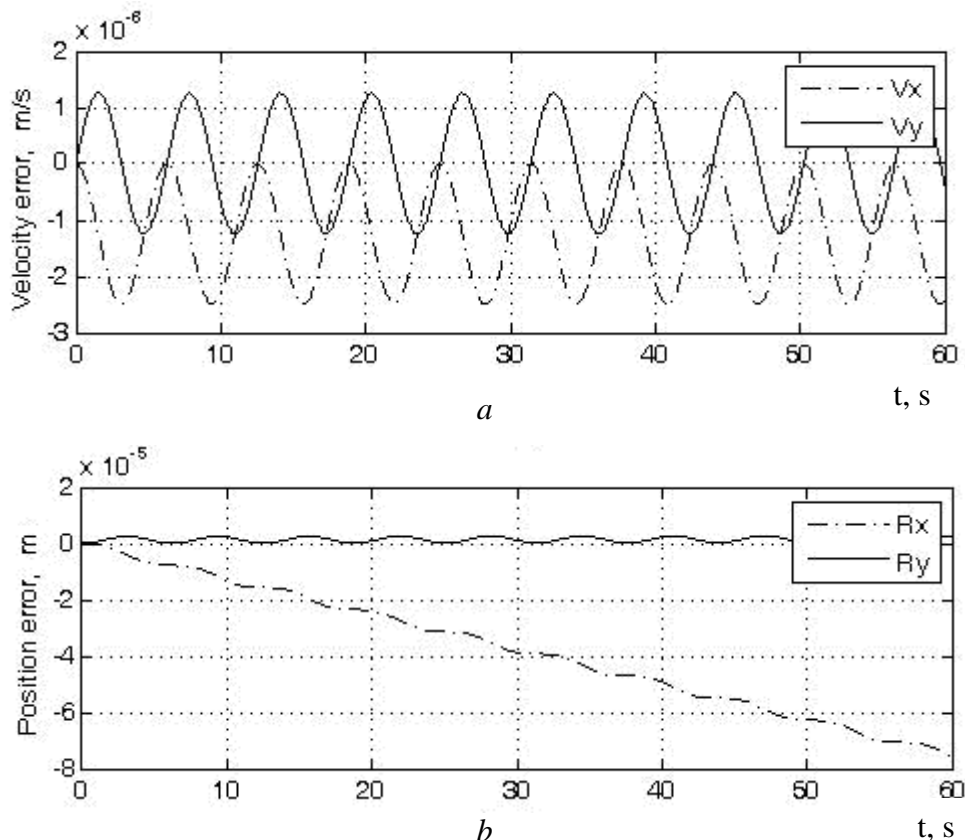


Fig. 4. Velocity (a) and position (b) calculation errors

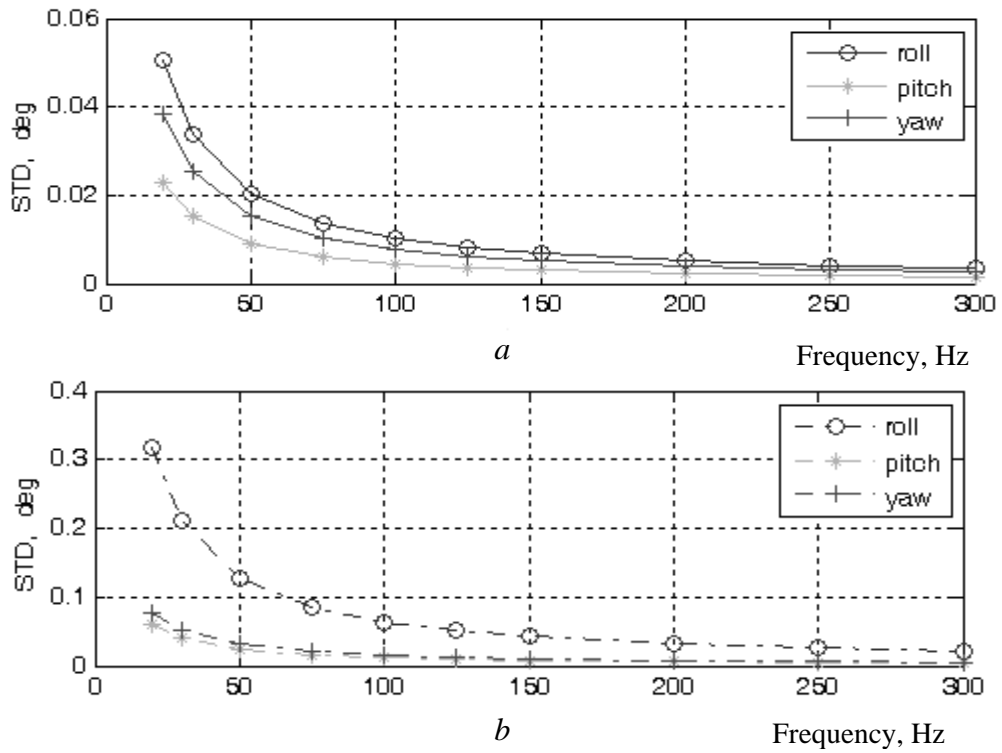


Fig. 5. Dependence of Euler angles definition errors STD on sampling frequency:
a – normal dynamics;
b – high dynamics

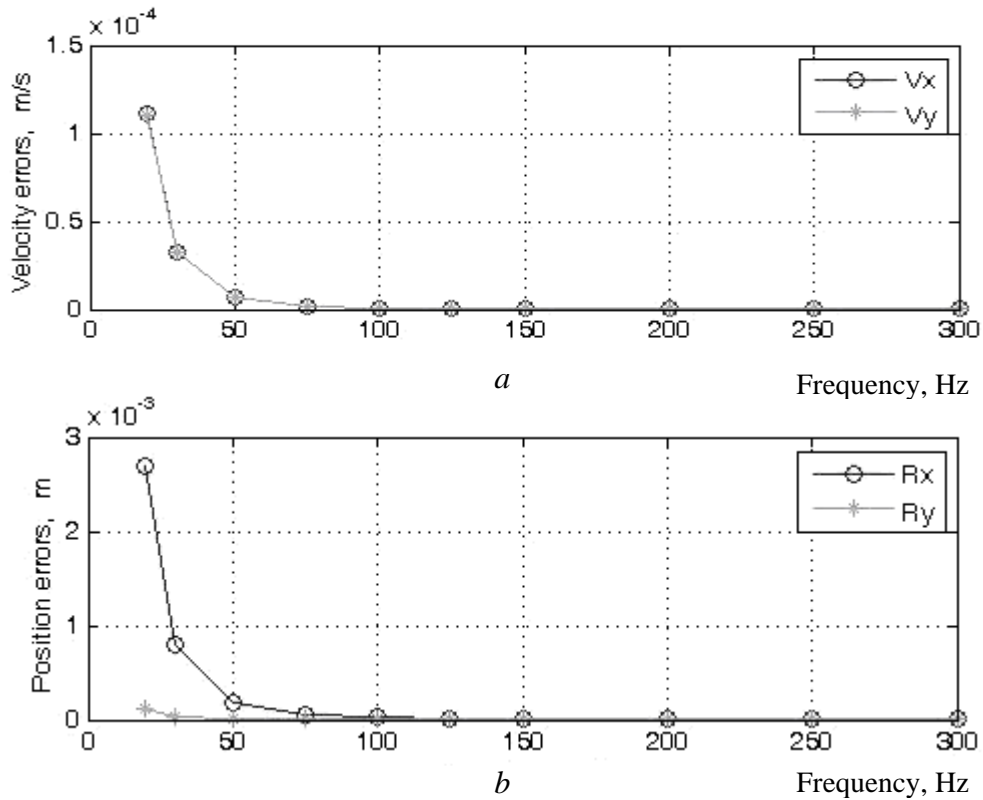


Fig. 6. Dependence of Velocity (*a*) and Position (*b*) definition errors STD on sampling frequency

References

1. *Конин В.В.* Системы спутниковой радионавигации / В.В. Конин, В.П. Харченко. – К.: Холтех, 2010. – 520 с.
2. *Grewall M.S.* Global Positioning Systems, Inertial Navigation, and Integration / M.S. Grewall, L.P. Weill, A.P. Andrews. – A John Wiley & Sons, Inc. Publ., New York, Chichester, Brisbane, Singapore, Toronto, 2001. – 392 p.
3. *Siouris George M.* Aerospace Avionics Systems: a modern synthesis / George M. Siouris. – Academic Press, Inc., 2007. – 466 p.
4. *Bennett M.* Development of Technologies for Low-cost Oceanographic Unmanned Aeronautical Vehicles: Doct. of Engineer. thesis / M. Bennett. – University of Southampton, USA, 2009. – 218 p.
5. *Coopmans C.* Design and implementation of sensing and estimation software in AGIENAV, a small UAV navigation platform / C. Coopmans, H. Chao, Y. Chen // Proceedings of the ASME IDETC/CIE 2009. – 2009. – P. 2–8.
6. *Yang Y.* Tightly Coupled MEMS INS/GPS Integration with INS Aided Receiver Tracking Loops: PhD thesis / Y. Yang. – Department of Geomatics Engineering. – University of Calgary, Canada, 2008. – 205 p.
7. *Larin V.B.* Attitude-determination problems for a rigid body / V.B. Larin // Int. App. Mechanics. – 2001. – 37, № 7. – P. 870–898.
8. *Shin E.H.* Estimation techniques for low-cost inertial navigation: PhD thesis / E.H. Shin. – Department of Geomatics Engineering. – University of Calgary, Canada, 2005. – 206 p.
9. *Бранец В.Н.* Применение кватернионов в задаче ориентации твёрдого тела / В.Н. Бранец, И.П. Шмыглевский. – М.: Наука, 1973. – 320 с.

The editors received the article on 09 June 2010.